



# SGDR series

Steel couplings





## Technical data

### Gear couplings materials

Couplings: Steel C40  
Sleve: Nylon PA66 Blue color

### Temperature

Oil-resistant rubber: from -20 °C to +90 °C  
Polyurethane resin: from -30 °C to +120 °C

### Compatibility with fluids

- Mineral oils types HH-LL-HM-HR-HV-HC, to ISO 6743/4 standard
- Water based emulsions types HFAE-HFAS, to ISO 6743/4 standard
- Water glycol type HFC, to ISO 6743/4 standard
- Ask for anodized version

### Note

For temperatures outside this range, contact the MP Filtri Technical and Sales Department.

### Special Applications

Any applications not covered by the normal indications contained in this catalogue must be evaluated and approved by the MP Filtri Technical and Sales Department.



## IEC Electric motors

IEC Electric Motors size	Aluminium	G25 UNI 5007 Cast Iron - C40 Carbon Steel				
	Shaft ISO 3019-2	Shaft ISO 3019-2	Shaft ANSI B92. 1A 1976	Shaft DIN 5480	Shaft DIN 5481	Shaft DIN 5482
<b>IEC 80 ø 200 - ø 19x40</b>	●	●	●	●	●	●
<b>IEC 90 ø 200 - ø 24x50</b>	●	●	●	●	●	●
<b>IEC 100 ø 250 - ø 28x60</b>	●	●	●	●	●	●
<b>IEC 112 ø 250 - ø 28x60</b>	●	●	●	●	●	●
<b>IEC 132 ø 300 - ø 38x80</b>	●	●	●	●	●	●
<b>IEC 160 ø 350 - ø 42x110</b>	●	●	●	●	●	●
<b>IEC 180 ø 350 - ø 48x110</b>	●	●	●	●	●	●
<b>IEC 200 ø 400 - ø 55x110</b>	●	●	●	●	●	●



## PUMP HALF-COUPLING BLANK

<b>Pump half-coupling</b> SGDR	Configuration example: SGDR 28 PB		
<b>Size</b> 28 42 55			
<b>Without bore</b> PB			

## PUMP HALF-COUPLING FOR PARALLEL SHAFT

<b>Pump half-coupling</b> SGDR	Configuration example: SGDR 28 G02 040 2E				
<b>Size</b> 28 42 55					
<b>Bore size code</b> G02 See page 18					
<b>Length</b> 040 See page 42					
<b>Double key way (available combinations only)</b> 2E See page 18 (Parallel shaft - double key only)					

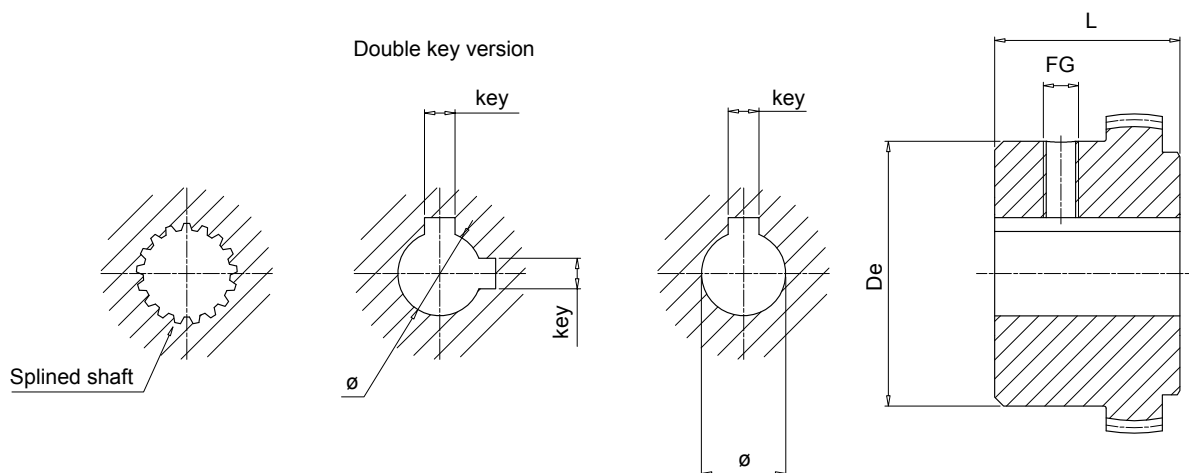
## PUMP HALF-COUPLING FOR SPLINED SHAFT

<b>Pump half-coupling</b> SGDR	Configuration example: SGDR 28 PD02 040			
<b>Size</b> 28 42 55				
<b>Bore size code</b> PD02 See page 19				
<b>Length</b> 040 See page 42				



# SGDR

## Dimensions



**Notes:**

- Screw included
- Double key version only pump side

### Motor half-coupling

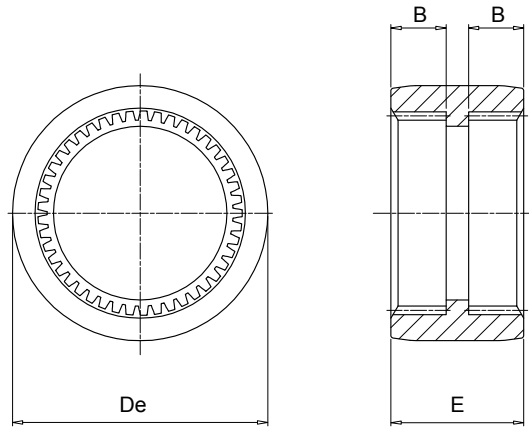
IEC - Electric motors		Half-coupling code	Dimensions [mm]					Weight [kg]
Motor size	Shaft end [d x l]		De	L	Ø	key	Fg	
80	19x40	<b>SGDR28M03040</b>	45	40	19	6	M6	0.5
90	24x50	<b>SGDR28M04040</b>	45	40	24	8	M6	0.5
100-112	28x60	<b>SGDR28M05040</b>	45	40	28	8	M6	0.5
132	38x80	<b>SGDR42M06042</b>	60	42	38	10	M8	1.0
160	42x110	<b>SGDR42M07042</b>	60	42	42	14	M8	1.0
180	48x110	<b>SGDR42M08042</b>	60	42	48	14	M8	1.0
200	55x110	<b>SGDR55M09060</b>	84	60	55	16	M8	2.5

### Pump half-couplings

Half-coupling code	Dimensions [mm]		Weight [kg]
	De	L	
<b>SGDR28***</b>	45	40	0.5
<b>SGDR42***</b>	60	42	1.0
<b>SGDR55***</b>	84	60	2.5

Complete the half-coupling designation with the pump interface code and the length.

Example: **SGDR280PD02050** (see page 19).



### Sleeve

Code	Dimensions [mm]			Weight [kg]
	De	E	B	
<b>EGR066PA</b>	66	38	16	0.050
<b>EGR090PA</b>	90	52	22	0.150
<b>EGR125PA</b>	125	65	27	0.371